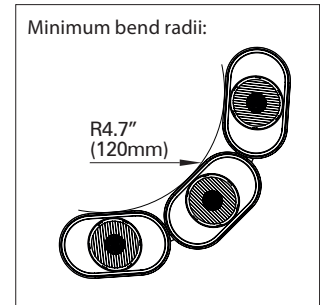
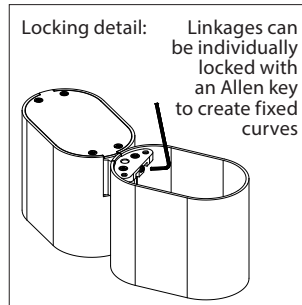
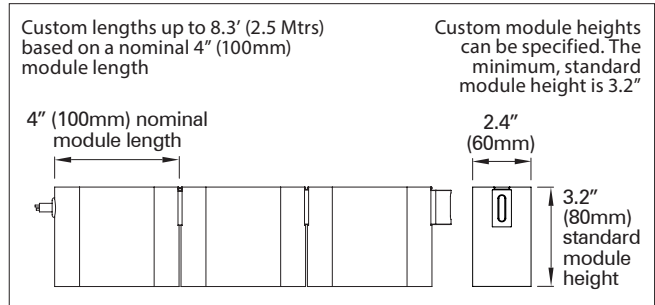
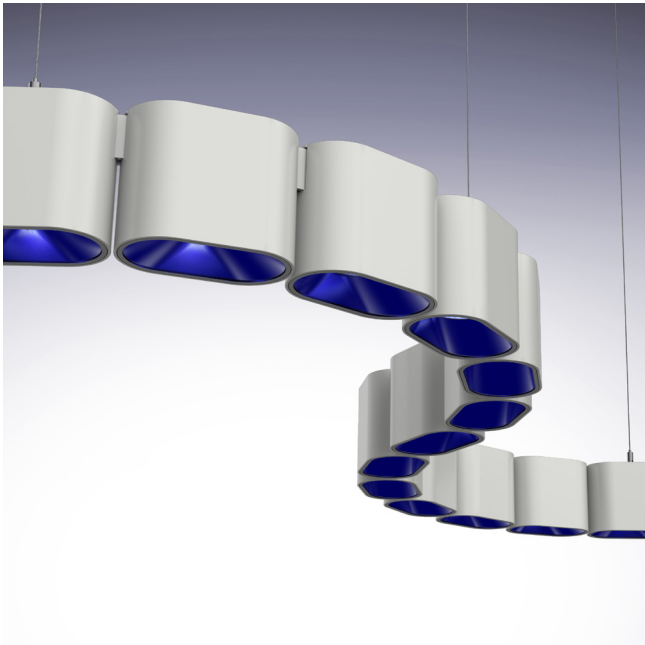


Centura 60 IP20 Class 2

Flexible modular RGBW LED pendant lighting system

Down light - 1 x RGB, RGBW, RGBA array with Gaggione lens per module



Modular flexible RGB LED pendant lighting system IP20 - Up light

Product description:

Centura has an articulated linkage-joint system between modules allowing for flexibility along the major axis. This innovative modular design offers the flexibility to follow curved surfaces, encircle columns and domes, and to make irregular shaped pendants, all whilst offering excellent lighting control and uniformity. This versatility offers the ability for use in a wide range of application areas including architectural, hospitality, leisure and retail.

Each module:

Down light - 1 x RGB, RGBW, RGBA or single coloured LED per module with colour mixing gaggione lens and asymmetric white reflector.

Up to 5 Watts per 4" (100mm) module

Up to 48 Volt DC supply

Integral LV constant current driver

Dimming options available: 1 - 10V, DMX and DALI

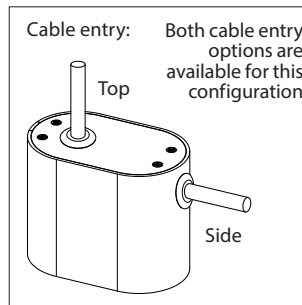
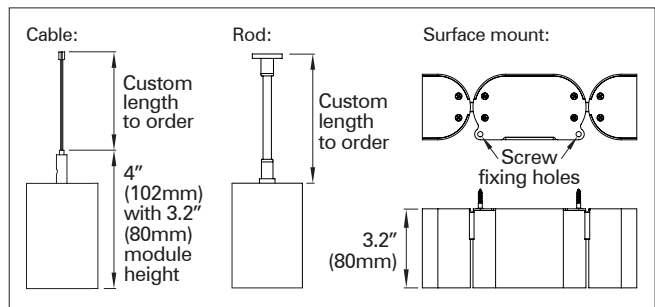
Various LED colour temperature and CRI options available

Body - Satin black, white or any RAL anodized or powder coat finish

Reflector - Satin white (colour in render provided by LEDs)

Custom lengths based on a 4" (100mm) module up to 8.3" (2.5 Mtrs)

Rod, cable or surface mount options. Custom solutions are available



Up to 450 Lumens per ft
(Up to 1,500 Lumens per Mtr)

Product Code	No. of LEDs per mtr.	IP	Length (mm)	LED Type	Optics (°)	Colour Temp. (K)	CRI	Mounting Type	Reflector (°)	Finish
RAD CENTURA 40 RING RGBW DOWN IP20	3 LEDs/arrays per foot: 4" (100mm) pitch	20	4" (100mm) to 8.3' (2,500mm) Available in 4" (100mm) increments	Cree: XP-E XP-G XQ-E Osram: Oslon	asymmetric reflector -120° diffusion angle	27=2,700k 30=3,000k 35=3,500k 40=4,000k 45=4,500k 50=5,000k * RGB * RGBW * RGBA * Dynamic white	Cree: 80 90 Osram: 95	Steel Cable Fixed rod Surface mount	Fixed angle	Body: Black, white or any anodized or powder coat finish Reflectors: Satin white